

## Latches

### Zinc Die Casting / Stainless Steel, with Operating Elements, Lockable

#### SPECIFICATION

##### Version in Zinc Die Casting

###### Types

- Type **SC**: With key (same lock)
- Type **SU**: With key (different lock)
- Type **SCK**: With wing knob (same lock)
- Type **SUK**: With wing knob (different lock)
- Type **SCT**: With T-Handle (same lock)
- Type **SUT**: With T-Handle (different lock)
- Type **LCG**: With Hand lever (only in SW) (same lock)
- Type **LUG**: With Hand lever (only in SW) (different lock)

###### Lock housing

###### Zinc die casting

- Housing collar, chrome plated
- Housing collar, powder coated  
Black, RAL 9005, textured finish **SW**

###### Operating elements

- Type SCK / SUK / SCT / SUT  
Plastic (Polyamide PA)  
Black, matte finish
- Type LCG / LUG

- Zinc die casting  
Powder coated  
Black, RAL 9005, textured finish

###### Key

Nickel silver with plastic hand piece

###### Other parts

Steel, zinc plated, blue passivated

###### Protection class IP 65

Type SCK / SUK / SCT / SUT / LCG / LUG

##### Version in Stainless Steel

###### Types

- Type **SC**: With key (same lock)
- Type **SCKN**: With wing knob (same lock)
- Type **SCTN**: With T-Handle (same lock)

###### Lock housing **NI**

- Type SC  
Stainless steel AISI 303
- Type SCKN, SCTN  
Stainless steel AISI 316

###### Latch arm

Stainless steel AISI 304

###### Key

Nickel silver with plastic hand piece

Operating elements (Type SCKN, SCTN)

Stainless steel AISI 316

###### Other parts

- Type SC  
Stainless steel AISI 304
- Type SCKN, SCTN  
Stainless steel AISI 316

Protection class IP 65 (Type SCKN, SCTN)



#### INFORMATION

Lockable latches GN 115-WOE-L lock by a turning operation limited to 90° which moves the latch arm in the locked position behind the door frame. The bevels of the latch arm ease the closing of the door. Thanks to the stainless steel materials used, the latches are optimally suited for use in corrosive environments.

Latch arms are available with different bend angles to cover a latch arm distance A from 4 to 50 mm (version zinc die casting) and from 6 to 50 mm (version stainless steel).

The latches are delivered with 2 keys and loosely enclosed latch arm. The key can be removed in both end positions. The lock is standard, so that every lock can be opened with the same key.

Types with a standard lock allow every lock to be opened with the same key. For the types with different lock, there are more than 200 different lock variants, whose keys are marked by numbers.

#### ACCESSORY

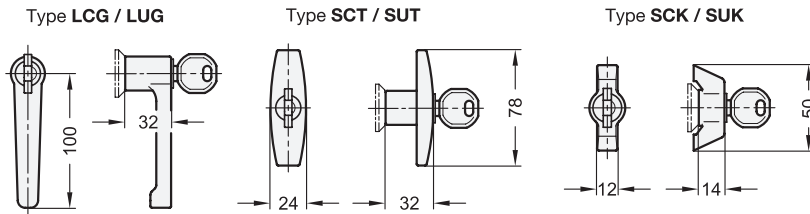
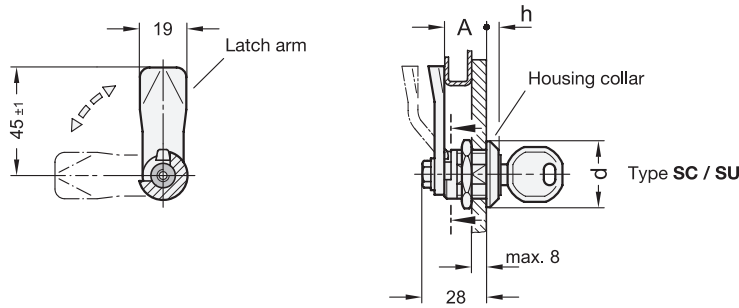
- Protective Caps GN 120 (see page 1486) (version stainless steel)
- Opening Handles GN 120.1 (see page 1487) (version stainless steel)
- Protective Guide Plates GN 120.2 (see page 1479)
- Sheet Metal Punches GN 123 (see page 1493)

#### ON REQUEST

- Latch arm in A4 (version stainless steel)
- Lock with Different Combinations (version stainless steel)

#### TECHNICAL INFORMATION

- List of latch types (see page 1456)
- IP Protection Classes (see page A23)
- Stainless Steel Characteristics (see page A26)



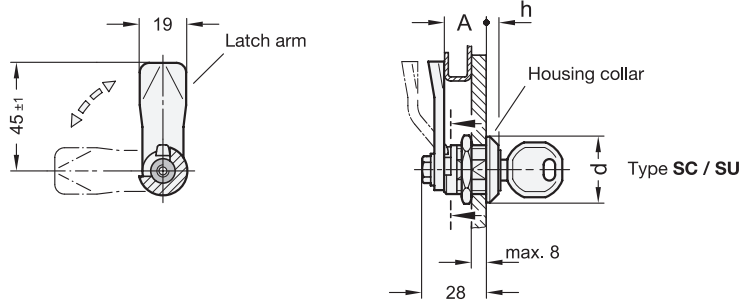
GN 115-WOE-L-ZD-CP

| Description   | Latch arm distance A | d  | h | △   |
|---------------|----------------------|----|---|-----|
| GN 115-SC-4   | 4                    | 28 | 4 | 102 |
| GN 115-SC-8   | 8                    | 28 | 4 | 100 |
| GN 115-SC-13  | 13                   | 28 | 4 | 100 |
| GN 115-SC-16  | 16                   | 28 | 4 | 100 |
| GN 115-SC-20  | 20                   | 28 | 4 | 100 |
| GN 115-SC-24  | 24                   | 28 | 4 | 100 |
| GN 115-SC-28  | 28                   | 28 | 4 | 100 |
| GN 115-SC-32  | 32                   | 28 | 4 | 100 |
| GN 115-SC-36  | 36                   | 28 | 4 | 100 |
| GN 115-SC-40  | 40                   | 28 | 4 | 100 |
| GN 115-SC-45  | 45                   | 28 | 4 | 100 |
| GN 115-SU-6   | 6                    | 28 | 4 | 100 |
| GN 115-SU-10  | 10                   | 28 | 4 | 100 |
| GN 115-SU-14  | 14                   | 28 | 4 | 100 |
| GN 115-SU-18  | 18                   | 28 | 4 | 100 |
| GN 115-SU-22  | 22                   | 28 | 4 | 100 |
| GN 115-SU-26  | 26                   | 28 | 4 | 100 |
| GN 115-SU-30  | 30                   | 28 | 4 | 100 |
| GN 115-SU-34  | 34                   | 28 | 4 | 100 |
| GN 115-SU-38  | 38                   | 28 | 4 | 100 |
| GN 115-SU-42  | 42                   | 28 | 4 | 100 |
| GN 115-SU-50  | 50                   | 28 | 4 | 100 |
| GN 115-SCK-4  | 4                    | 32 | 6 | 120 |
| GN 115-SCK-8  | 8                    | 32 | 6 | 130 |
| GN 115-SCK-13 | 13                   | 32 | 6 | 128 |
| GN 115-SCK-16 | 16                   | 32 | 6 | 120 |
| GN 115-SCK-20 | 20                   | 32 | 6 | 130 |
| GN 115-SCK-24 | 24                   | 32 | 6 | 130 |
| GN 115-SCK-28 | 28                   | 32 | 6 | 135 |
| GN 115-SCK-32 | 32                   | 32 | 6 | 140 |
| GN 115-SCK-36 | 36                   | 32 | 6 | 120 |
| GN 115-SCK-40 | 40                   | 32 | 6 | 135 |
| GN 115-SCK-45 | 45                   | 32 | 6 | 140 |
| GN 115-SCK-6  | 6                    | 32 | 6 | 130 |
| GN 115-SCK-10 | 10                   | 32 | 6 | 130 |
| GN 115-SCK-14 | 14                   | 32 | 6 | 110 |
| GN 115-SCK-18 | 18                   | 32 | 6 | 130 |
| GN 115-SCK-22 | 22                   | 32 | 6 | 130 |
| GN 115-SCK-26 | 26                   | 32 | 6 | 140 |
| GN 115-SCK-30 | 30                   | 32 | 6 | 130 |
| GN 115-SCK-34 | 34                   | 32 | 6 | 42  |
| GN 115-SCK-38 | 38                   | 32 | 6 | 120 |
| GN 115-SCK-42 | 42                   | 32 | 6 | 140 |
| GN 115-SCK-50 | 50                   | 32 | 6 | 140 |

GN 115-WOE-L-ZD-CP

| Description   | Latch arm distance A | d  | h | △   |
|---------------|----------------------|----|---|-----|
| GN 115-SU-6   | 6                    | 28 | 4 | 100 |
| GN 115-SU-10  | 10                   | 28 | 4 | 100 |
| GN 115-SU-14  | 14                   | 28 | 4 | 100 |
| GN 115-SU-18  | 18                   | 28 | 4 | 80  |
| GN 115-SU-22  | 22                   | 28 | 4 | 100 |
| GN 115-SU-26  | 26                   | 28 | 4 | 100 |
| GN 115-SU-30  | 30                   | 28 | 4 | 100 |
| GN 115-SU-34  | 34                   | 28 | 4 | 100 |
| GN 115-SU-38  | 38                   | 28 | 4 | 100 |
| GN 115-SU-42  | 42                   | 28 | 4 | 100 |
| GN 115-SU-50  | 50                   | 28 | 4 | 100 |
| GN 115-SCK-4  | 4                    | 32 | 6 | 120 |
| GN 115-SCK-8  | 8                    | 32 | 6 | 130 |
| GN 115-SCK-13 | 13                   | 32 | 6 | 128 |
| GN 115-SCK-16 | 16                   | 32 | 6 | 120 |
| GN 115-SCK-20 | 20                   | 32 | 6 | 130 |
| GN 115-SCK-24 | 24                   | 32 | 6 | 130 |
| GN 115-SCK-28 | 28                   | 32 | 6 | 135 |
| GN 115-SCK-32 | 32                   | 32 | 6 | 140 |
| GN 115-SCK-36 | 36                   | 32 | 6 | 120 |
| GN 115-SCK-40 | 40                   | 32 | 6 | 135 |
| GN 115-SCK-45 | 45                   | 32 | 6 | 140 |
| GN 115-SCK-6  | 6                    | 32 | 6 | 130 |
| GN 115-SCK-10 | 10                   | 32 | 6 | 130 |
| GN 115-SCK-14 | 14                   | 32 | 6 | 110 |
| GN 115-SCK-18 | 18                   | 32 | 6 | 130 |
| GN 115-SCK-22 | 22                   | 32 | 6 | 130 |
| GN 115-SCK-26 | 26                   | 32 | 6 | 140 |
| GN 115-SCK-30 | 30                   | 32 | 6 | 130 |
| GN 115-SCK-34 | 34                   | 32 | 6 | 42  |
| GN 115-SCK-38 | 38                   | 32 | 6 | 120 |
| GN 115-SCK-42 | 42                   | 32 | 6 | 140 |
| GN 115-SCK-50 | 50                   | 32 | 6 | 140 |

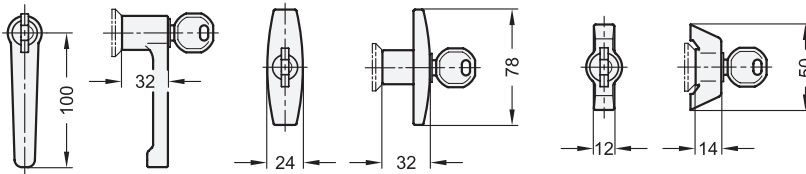




Type LCG / LUG

Type SCT / SUT

Type SCK / SUK

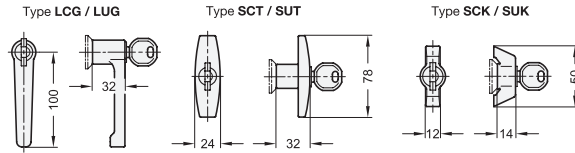
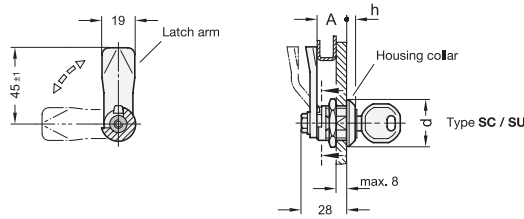


GN 115-WOE-L-ZD-CP

| Description   | Latch arm distance A | d  | h | ΔΔ  |
|---------------|----------------------|----|---|-----|
| GN 115-SUK-4  | 4                    | 32 | 6 | 136 |
| GN 115-SUK-8  | 8                    | 32 | 6 | 134 |
| GN 115-SUK-13 | 13                   | 32 | 6 | 133 |
| GN 115-SUK-16 | 16                   | 32 | 6 | 126 |
| GN 115-SUK-20 | 20                   | 32 | 6 | 132 |
| GN 115-SUK-24 | 24                   | 32 | 6 | 132 |
| GN 115-SUK-28 | 28                   | 32 | 6 | 134 |
| GN 115-SUK-32 | 32                   | 32 | 6 | 136 |
| GN 115-SUK-36 | 36                   | 32 | 6 | 136 |
| GN 115-SUK-40 | 40                   | 32 | 6 | 144 |
| GN 115-SUK-45 | 45                   | 32 | 6 | 136 |
| GN 115-SUK-6  | 6                    | 32 | 6 | 133 |
| GN 115-SUK-10 | 10                   | 32 | 6 | 133 |
| GN 115-SUK-14 | 14                   | 32 | 6 | 133 |
| GN 115-SUK-18 | 18                   | 32 | 6 | 131 |
| GN 115-SUK-22 | 22                   | 32 | 6 | 132 |
| GN 115-SUK-26 | 26                   | 32 | 6 | 134 |
| GN 115-SUK-30 | 30                   | 32 | 6 | 135 |
| GN 115-SUK-34 | 34                   | 32 | 6 | 138 |
| GN 115-SUK-38 | 38                   | 32 | 6 | 141 |
| GN 115-SUK-42 | 42                   | 32 | 6 | 143 |
| GN 115-SUK-50 | 50                   | 32 | 6 | 148 |
| GN 115-SCT-4  | 4                    | 32 | 6 | 174 |
| GN 115-SCT-8  | 8                    | 32 | 6 | 172 |
| GN 115-SCT-13 | 13                   | 32 | 6 | 171 |
| GN 115-SCT-16 | 16                   | 32 | 6 | 164 |
| GN 115-SCT-20 | 20                   | 32 | 6 | 170 |
| GN 115-SCT-24 | 24                   | 32 | 6 | 170 |
| GN 115-SCT-28 | 28                   | 32 | 6 | 172 |
| GN 115-SCT-32 | 32                   | 32 | 6 | 174 |
| GN 115-SCT-36 | 36                   | 32 | 6 | 174 |
| GN 115-SCT-40 | 40                   | 32 | 6 | 182 |
| GN 115-SCT-45 | 45                   | 32 | 6 | 174 |

GN 115-WOE-L-ZD-CP

| Description   | Latch arm distance A | d  | h | ΔΔ  |
|---------------|----------------------|----|---|-----|
| GN 115-SCT-6  | 6                    | 32 | 6 | 171 |
| GN 115-SCT-10 | 10                   | 32 | 6 | 171 |
| GN 115-SCT-14 | 14                   | 32 | 6 | 171 |
| GN 115-SCT-18 | 18                   | 32 | 6 | 169 |
| GN 115-SCT-22 | 22                   | 32 | 6 | 170 |
| GN 115-SCT-26 | 26                   | 32 | 6 | 172 |
| GN 115-SCT-30 | 30                   | 32 | 6 | 173 |
| GN 115-SCT-34 | 34                   | 32 | 6 | 176 |
| GN 115-SCT-38 | 38                   | 32 | 6 | 179 |
| GN 115-SCT-42 | 42                   | 32 | 6 | 181 |
| GN 115-SCT-50 | 50                   | 32 | 6 | 186 |
| GN 115-SUT-4  | 4                    | 32 | 6 | 136 |
| GN 115-SUT-8  | 8                    | 32 | 6 | 134 |
| GN 115-SUT-13 | 13                   | 32 | 6 | 133 |
| GN 115-SUT-16 | 16                   | 32 | 6 | 126 |
| GN 115-SUT-20 | 20                   | 32 | 6 | 132 |
| GN 115-SUT-24 | 24                   | 32 | 6 | 132 |
| GN 115-SUT-28 | 28                   | 32 | 6 | 134 |
| GN 115-SUT-32 | 32                   | 32 | 6 | 136 |
| GN 115-SUT-36 | 36                   | 32 | 6 | 136 |
| GN 115-SUT-40 | 40                   | 32 | 6 | 144 |
| GN 115-SUT-45 | 45                   | 32 | 6 | 136 |
| GN 115-SUT-6  | 6                    | 32 | 6 | 133 |
| GN 115-SUT-10 | 10                   | 32 | 6 | 133 |
| GN 115-SUT-14 | 14                   | 32 | 6 | 133 |
| GN 115-SUT-18 | 18                   | 32 | 6 | 131 |
| GN 115-SUT-22 | 22                   | 32 | 6 | 132 |
| GN 115-SUT-26 | 26                   | 32 | 6 | 134 |
| GN 115-SUT-30 | 30                   | 32 | 6 | 135 |
| GN 115-SUT-34 | 34                   | 32 | 6 | 138 |
| GN 115-SUT-38 | 38                   | 32 | 6 | 141 |
| GN 115-SUT-42 | 42                   | 32 | 6 | 143 |
| GN 115-SUT-50 | 50                   | 32 | 6 | 148 |



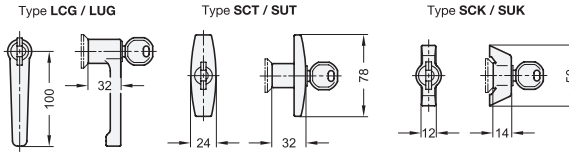
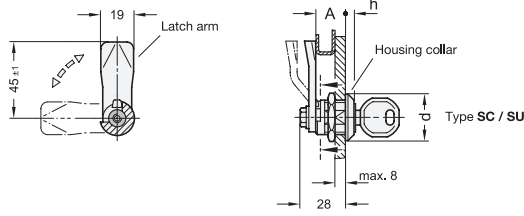
### GN 115-WOE-L-ZD-PC

| Description     | Latch arm distance A | d  | h | ⚖   |
|-----------------|----------------------|----|---|-----|
| GN 115-SC-4-SW  | 4                    | 28 | 4 | 100 |
| GN 115-SC-8-SW  | 8                    | 28 | 4 | 100 |
| GN 115-SC-13-SW | 13                   | 28 | 4 | 100 |
| GN 115-SC-16-SW | 16                   | 28 | 4 | 100 |
| GN 115-SC-20-SW | 20                   | 28 | 4 | 100 |
| GN 115-SC-24-SW | 24                   | 28 | 4 | 100 |
| GN 115-SC-28-SW | 28                   | 28 | 4 | 100 |
| GN 115-SC-32-SW | 32                   | 28 | 4 | 100 |
| GN 115-SC-36-SW | 36                   | 28 | 4 | 100 |
| GN 115-SC-40-SW | 40                   | 28 | 4 | 100 |
| GN 115-SC-45-SW | 45                   | 28 | 4 | 100 |
| GN 115-SC-6-SW  | 6                    | 28 | 4 | 100 |
| GN 115-SC-10-SW | 10                   | 28 | 4 | 100 |
| GN 115-SC-14-SW | 14                   | 28 | 4 | 100 |
| GN 115-SC-18-SW | 18                   | 28 | 4 | 80  |
| GN 115-SC-22-SW | 22                   | 28 | 4 | 100 |
| GN 115-SC-26-SW | 26                   | 28 | 4 | 100 |
| GN 115-SC-30-SW | 30                   | 28 | 4 | 100 |
| GN 115-SC-34-SW | 34                   | 28 | 4 | 100 |
| GN 115-SC-38-SW | 38                   | 28 | 4 | 100 |
| GN 115-SC-42-SW | 42                   | 28 | 4 | 100 |
| GN 115-SC-50-SW | 50                   | 28 | 4 | 100 |
| GN 115-SU-4-SW  | 4                    | 28 | 4 | 100 |
| GN 115-SU-8-SW  | 8                    | 28 | 4 | 100 |
| GN 115-SU-13-SW | 13                   | 28 | 4 | 100 |
| GN 115-SU-16-SW | 16                   | 28 | 4 | 100 |
| GN 115-SU-20-SW | 20                   | 28 | 4 | 100 |
| GN 115-SU-24-SW | 24                   | 28 | 4 | 100 |
| GN 115-SU-28-SW | 28                   | 28 | 4 | 100 |
| GN 115-SU-32-SW | 32                   | 28 | 4 | 100 |
| GN 115-SU-36-SW | 36                   | 28 | 4 | 100 |
| GN 115-SU-40-SW | 40                   | 28 | 4 | 100 |
| GN 115-SU-45-SW | 45                   | 28 | 4 | 100 |
| GN 115-SU-6-SW  | 6                    | 28 | 4 | 100 |
| GN 115-SU-10-SW | 10                   | 28 | 4 | 100 |
| GN 115-SU-14-SW | 14                   | 28 | 4 | 100 |
| GN 115-SU-18-SW | 18                   | 28 | 4 | 80  |
| GN 115-SU-22-SW | 22                   | 28 | 4 | 100 |
| GN 115-SU-26-SW | 26                   | 28 | 4 | 100 |
| GN 115-SU-30-SW | 30                   | 28 | 4 | 100 |
| GN 115-SU-34-SW | 34                   | 28 | 4 | 100 |
| GN 115-SU-38-SW | 38                   | 28 | 4 | 100 |
| GN 115-SU-42-SW | 42                   | 28 | 4 | 100 |
| GN 115-SU-50-SW | 50                   | 28 | 4 | 100 |

### GN 115-WOE-L-ZD-PC

| Description      | Latch arm distance A | d  | h | ⚖   |
|------------------|----------------------|----|---|-----|
| GN 115-SCK-4-SW  | 4                    | 32 | 6 | 130 |
| GN 115-SCK-8-SW  | 8                    | 32 | 6 | 130 |
| GN 115-SCK-13-SW | 13                   | 32 | 6 | 140 |
| GN 115-SCK-16-SW | 16                   | 32 | 6 | 140 |
| GN 115-SCK-20-SW | 20                   | 32 | 6 | 130 |
| GN 115-SCK-24-SW | 24                   | 32 | 6 | 130 |
| GN 115-SCK-28-SW | 28                   | 32 | 6 | 135 |
| GN 115-SCK-32-SW | 32                   | 32 | 6 | 140 |
| GN 115-SCK-36-SW | 36                   | 32 | 6 | 32  |
| GN 115-SCK-40-SW | 40                   | 32 | 6 | 140 |
| GN 115-SCK-45-SW | 45                   | 32 | 6 | 130 |
| GN 115-SCK-6-SW  | 6                    | 32 | 6 | 100 |
| GN 115-SCK-10-SW | 10                   | 32 | 6 | 127 |
| GN 115-SCK-14-SW | 14                   | 32 | 6 | 260 |
| GN 115-SCK-18-SW | 18                   | 32 | 6 | 130 |
| GN 115-SCK-22-SW | 22                   | 32 | 6 | 26  |
| GN 115-SCK-26-SW | 26                   | 32 | 6 | 140 |
| GN 115-SCK-30-SW | 30                   | 32 | 6 | 120 |
| GN 115-SCK-34-SW | 34                   | 32 | 6 | 138 |
| GN 115-SCK-38-SW | 38                   | 32 | 6 | 270 |
| GN 115-SCK-42-SW | 42                   | 32 | 6 | 140 |
| GN 115-SCK-50-SW | 50                   | 32 | 6 | 43  |
| GN 115-SUK-4-SW  | 4                    | 32 | 6 | 136 |
| GN 115-SUK-8-SW  | 8                    | 32 | 6 | 134 |
| GN 115-SUK-13-SW | 13                   | 32 | 6 | 133 |
| GN 115-SUK-16-SW | 16                   | 32 | 6 | 126 |
| GN 115-SUK-20-SW | 20                   | 32 | 6 | 132 |
| GN 115-SUK-24-SW | 24                   | 32 | 6 | 132 |
| GN 115-SUK-28-SW | 28                   | 32 | 6 | 134 |
| GN 115-SUK-32-SW | 32                   | 32 | 6 | 136 |
| GN 115-SUK-36-SW | 36                   | 32 | 6 | 136 |
| GN 115-SUK-40-SW | 40                   | 32 | 6 | 144 |
| GN 115-SUK-45-SW | 45                   | 32 | 6 | 136 |
| GN 115-SUK-6-SW  | 6                    | 32 | 6 | 133 |
| GN 115-SUK-10-SW | 10                   | 32 | 6 | 133 |
| GN 115-SUK-14-SW | 14                   | 32 | 6 | 133 |
| GN 115-SUK-18-SW | 18                   | 32 | 6 | 131 |
| GN 115-SUK-22-SW | 22                   | 32 | 6 | 132 |
| GN 115-SUK-26-SW | 26                   | 32 | 6 | 134 |
| GN 115-SUK-30-SW | 30                   | 32 | 6 | 135 |
| GN 115-SUK-34-SW | 34                   | 32 | 6 | 138 |
| GN 115-SUK-38-SW | 38                   | 32 | 6 | 141 |
| GN 115-SUK-42-SW | 42                   | 32 | 6 | 143 |
| GN 115-SUK-50-SW | 50                   | 32 | 6 | 148 |



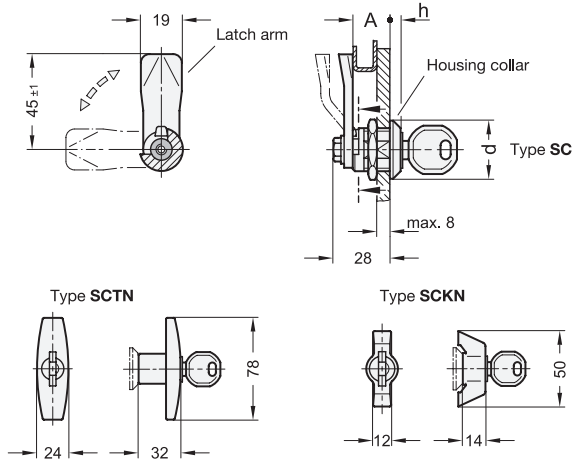


GN 115-WOE-L-ZD-PC

| Description      | Latch arm distance A | d  | h | ⚖   |
|------------------|----------------------|----|---|-----|
| GN 115-SCT-4-SW  | 4                    | 32 | 6 | 169 |
| GN 115-SCT-8-SW  | 8                    | 32 | 6 | 167 |
| GN 115-SCT-13-SW | 13                   | 32 | 6 | 166 |
| GN 115-SCT-16-SW | 16                   | 32 | 6 | 159 |
| GN 115-SCT-20-SW | 20                   | 32 | 6 | 165 |
| GN 115-SCT-24-SW | 24                   | 32 | 6 | 165 |
| GN 115-SCT-28-SW | 28                   | 32 | 6 | 167 |
| GN 115-SCT-32-SW | 32                   | 32 | 6 | 169 |
| GN 115-SCT-36-SW | 36                   | 32 | 6 | 169 |
| GN 115-SCT-40-SW | 40                   | 32 | 6 | 177 |
| GN 115-SCT-45-SW | 45                   | 32 | 6 | 169 |
| GN 115-SCT-6-SW  | 6                    | 32 | 6 | 166 |
| GN 115-SCT-10-SW | 10                   | 32 | 6 | 166 |
| GN 115-SCT-14-SW | 14                   | 32 | 6 | 166 |
| GN 115-SCT-18-SW | 18                   | 32 | 6 | 164 |
| GN 115-SCT-22-SW | 22                   | 32 | 6 | 165 |
| GN 115-SCT-26-SW | 26                   | 32 | 6 | 167 |
| GN 115-SCT-30-SW | 30                   | 32 | 6 | 168 |
| GN 115-SCT-34-SW | 34                   | 32 | 6 | 171 |
| GN 115-SCT-38-SW | 38                   | 32 | 6 | 174 |
| GN 115-SCT-42-SW | 42                   | 32 | 6 | 176 |
| GN 115-SCT-50-SW | 50                   | 32 | 6 | 181 |
| GN 115-SUT-4-SW  | 4                    | 32 | 6 | 136 |
| GN 115-SUT-8-SW  | 8                    | 32 | 6 | 134 |
| GN 115-SUT-13-SW | 13                   | 32 | 6 | 133 |
| GN 115-SUT-16-SW | 16                   | 32 | 6 | 126 |
| GN 115-SUT-20-SW | 20                   | 32 | 6 | 132 |
| GN 115-SUT-24-SW | 24                   | 32 | 6 | 132 |
| GN 115-SUT-28-SW | 28                   | 32 | 6 | 134 |
| GN 115-SUT-32-SW | 32                   | 32 | 6 | 136 |
| GN 115-SUT-36-SW | 36                   | 32 | 6 | 136 |
| GN 115-SUT-40-SW | 40                   | 32 | 6 | 144 |
| GN 115-SUT-45-SW | 45                   | 32 | 6 | 136 |
| GN 115-SUT-6-SW  | 6                    | 32 | 6 | 133 |
| GN 115-SUT-10-SW | 10                   | 32 | 6 | 133 |
| GN 115-SUT-14-SW | 14                   | 32 | 6 | 133 |
| GN 115-SUT-18-SW | 18                   | 32 | 6 | 131 |
| GN 115-SUT-22-SW | 22                   | 32 | 6 | 132 |
| GN 115-SUT-26-SW | 26                   | 32 | 6 | 134 |
| GN 115-SUT-30-SW | 30                   | 32 | 6 | 135 |
| GN 115-SUT-34-SW | 34                   | 32 | 6 | 138 |
| GN 115-SUT-38-SW | 38                   | 32 | 6 | 141 |
| GN 115-SUT-42-SW | 42                   | 32 | 6 | 143 |
| GN 115-SUT-50-SW | 50                   | 32 | 6 | 148 |

GN 115-WOE-L-ZD-PC

| Description      | Latch arm distance A | d  | h | ⚖   |
|------------------|----------------------|----|---|-----|
| GN 115-LCG-4-SW  | 4                    | 32 | 6 | 250 |
| GN 115-LCG-8-SW  | 8                    | 32 | 6 | 249 |
| GN 115-LCG-13-SW | 13                   | 32 | 6 | 248 |
| GN 115-LCG-16-SW | 16                   | 32 | 6 | 240 |
| GN 115-LCG-20-SW | 20                   | 32 | 6 | 200 |
| GN 115-LCG-24-SW | 24                   | 32 | 6 | 247 |
| GN 115-LCG-28-SW | 28                   | 32 | 6 | 250 |
| GN 115-LCG-32-SW | 32                   | 32 | 6 | 190 |
| GN 115-LCG-36-SW | 36                   | 32 | 6 | 251 |
| GN 115-LCG-40-SW | 40                   | 32 | 6 | 225 |
| GN 115-LCG-45-SW | 45                   | 32 | 6 | 251 |
| GN 115-LCG-6-SW  | 6                    | 32 | 6 | 200 |
| GN 115-LCG-10-SW | 10                   | 32 | 6 | 249 |
| GN 115-LCG-14-SW | 14                   | 32 | 6 | 250 |
| GN 115-LCG-18-SW | 18                   | 32 | 6 | 250 |
| GN 115-LCG-22-SW | 22                   | 32 | 6 | 250 |
| GN 115-LCG-26-SW | 26                   | 32 | 6 | 260 |
| GN 115-LCG-30-SW | 30                   | 32 | 6 | 250 |
| GN 115-LCG-34-SW | 34                   | 32 | 6 | 253 |
| GN 115-LCG-38-SW | 38                   | 32 | 6 | 256 |
| GN 115-LCG-42-SW | 42                   | 32 | 6 | 258 |
| GN 115-LCG-50-SW | 50                   | 32 | 6 | 263 |
| GN 115-LUG-4-SW  | 4                    | 32 | 6 | 252 |
| GN 115-LUG-8-SW  | 8                    | 32 | 6 | 250 |
| GN 115-LUG-13-SW | 13                   | 32 | 6 | 248 |
| GN 115-LUG-16-SW | 16                   | 32 | 6 | 242 |
| GN 115-LUG-20-SW | 20                   | 32 | 6 | 200 |
| GN 115-LUG-24-SW | 24                   | 32 | 6 | 248 |
| GN 115-LUG-28-SW | 28                   | 32 | 6 | 250 |
| GN 115-LUG-32-SW | 32                   | 32 | 6 | 150 |
| GN 115-LUG-36-SW | 36                   | 32 | 6 | 252 |
| GN 115-LUG-40-SW | 40                   | 32 | 6 | 260 |
| GN 115-LUG-45-SW | 45                   | 32 | 6 | 252 |
| GN 115-LUG-6-SW  | 6                    | 32 | 6 | 249 |
| GN 115-LUG-10-SW | 10                   | 32 | 6 | 249 |
| GN 115-LUG-14-SW | 14                   | 32 | 6 | 150 |
| GN 115-LUG-18-SW | 18                   | 32 | 6 | 247 |
| GN 115-LUG-22-SW | 22                   | 32 | 6 | 200 |
| GN 115-LUG-26-SW | 26                   | 32 | 6 | 250 |
| GN 115-LUG-30-SW | 30                   | 32 | 6 | 251 |
| GN 115-LUG-34-SW | 34                   | 32 | 6 | 254 |
| GN 115-LUG-38-SW | 38                   | 32 | 6 | 257 |
| GN 115-LUG-42-SW | 42                   | 32 | 6 | 259 |
| GN 115-LUG-50-SW | 50                   | 32 | 6 | 260 |



GN 115-WOE-L-NI

STAINLESS STEEL

| Description       | Latch arm distance A | d  | h | △   |
|-------------------|----------------------|----|---|-----|
| GN 115-SC-6-NI    | 6                    | 28 | 4 | 100 |
| GN 115-SC-10-NI   | 10                   | 28 | 4 | 100 |
| GN 115-SC-14-NI   | 14                   | 28 | 4 | 100 |
| GN 115-SC-18-NI   | 18                   | 28 | 4 | 99  |
| GN 115-SC-20-NI   | 20                   | 28 | 4 | 100 |
| GN 115-SC-22-NI   | 22                   | 28 | 4 | 100 |
| GN 115-SC-24-NI   | 24                   | 28 | 4 | 110 |
| GN 115-SC-26-NI   | 26                   | 28 | 4 | 102 |
| GN 115-SC-28-NI   | 28                   | 28 | 4 | 104 |
| GN 115-SC-30-NI   | 30                   | 28 | 4 | 100 |
| GN 115-SC-34-NI   | 34                   | 28 | 4 | 100 |
| GN 115-SC-38-NI   | 38                   | 28 | 4 | 150 |
| GN 115-SC-40-NI   | 40                   | 28 | 4 | 104 |
| GN 115-SC-50-NI   | 50                   | 28 | 4 | 137 |
| GN 115-SCKN-6-NI  | 6                    | 32 | 6 | 171 |
| GN 115-SCKN-10-NI | 10                   | 32 | 6 | 169 |
| GN 115-SCKN-14-NI | 14                   | 32 | 6 | 167 |
| GN 115-SCKN-18-NI | 18                   | 32 | 6 | 167 |
| GN 115-SCKN-20-NI | 20                   | 32 | 6 | 167 |
| GN 115-SCKN-22-NI | 22                   | 32 | 6 | 167 |
| GN 115-SCKN-24-NI | 24                   | 32 | 6 | 162 |
| GN 115-SCKN-26-NI | 26                   | 32 | 6 | 168 |
| GN 115-SCKN-28-NI | 28                   | 32 | 6 | 170 |
| GN 115-SCKN-30-NI | 30                   | 32 | 6 | 162 |
| GN 115-SCKN-34-NI | 34                   | 32 | 6 | 173 |
| GN 115-SCKN-38-NI | 38                   | 32 | 6 | 176 |
| GN 115-SCKN-40-NI | 40                   | 32 | 6 | 172 |
| GN 115-SCKN-50-NI | 50                   | 32 | 6 | 203 |
| GN 115-SCTN-6-NI  | 6                    | 32 | 6 | 271 |
| GN 115-SCTN-10-NI | 10                   | 32 | 6 | 269 |
| GN 115-SCTN-14-NI | 14                   | 32 | 6 | 267 |
| GN 115-SCTN-18-NI | 18                   | 32 | 6 | 267 |
| GN 115-SCTN-20-NI | 20                   | 32 | 6 | 267 |
| GN 115-SCTN-22-NI | 22                   | 32 | 6 | 267 |
| GN 115-SCTN-24-NI | 24                   | 32 | 6 | 262 |
| GN 115-SCTN-26-NI | 26                   | 32 | 6 | 268 |
| GN 115-SCTN-28-NI | 28                   | 32 | 6 | 270 |
| GN 115-SCTN-30-NI | 30                   | 32 | 6 | 262 |
| GN 115-SCTN-34-NI | 34                   | 32 | 6 | 273 |
| GN 115-SCTN-38-NI | 38                   | 32 | 6 | 276 |
| GN 115-SCTN-40-NI | 40                   | 32 | 6 | 272 |
| GN 115-SCTN-50-NI | 50                   | 32 | 6 | 303 |

